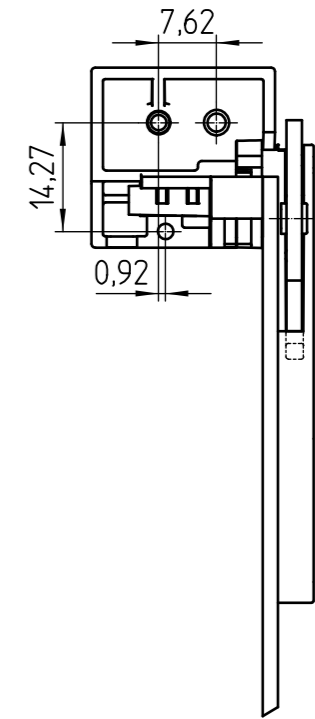
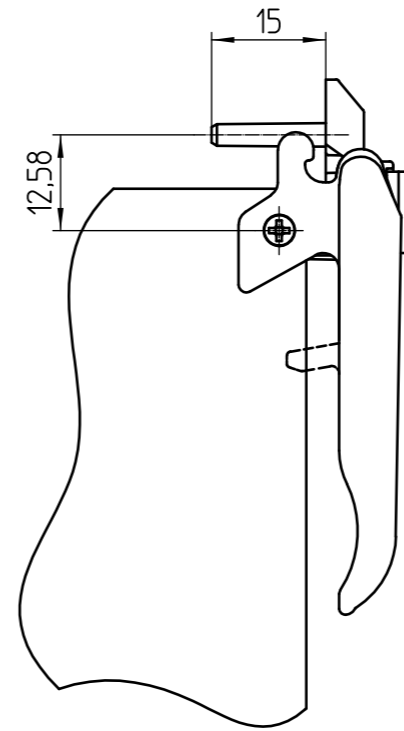
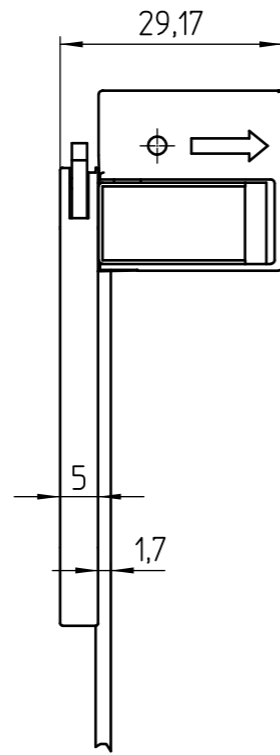
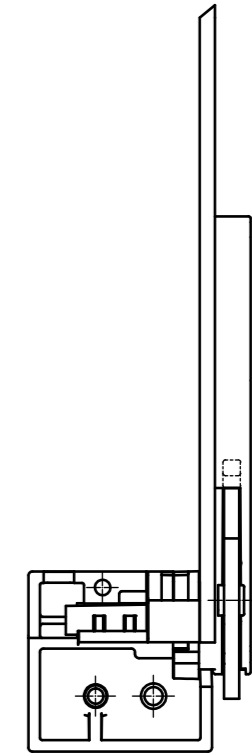
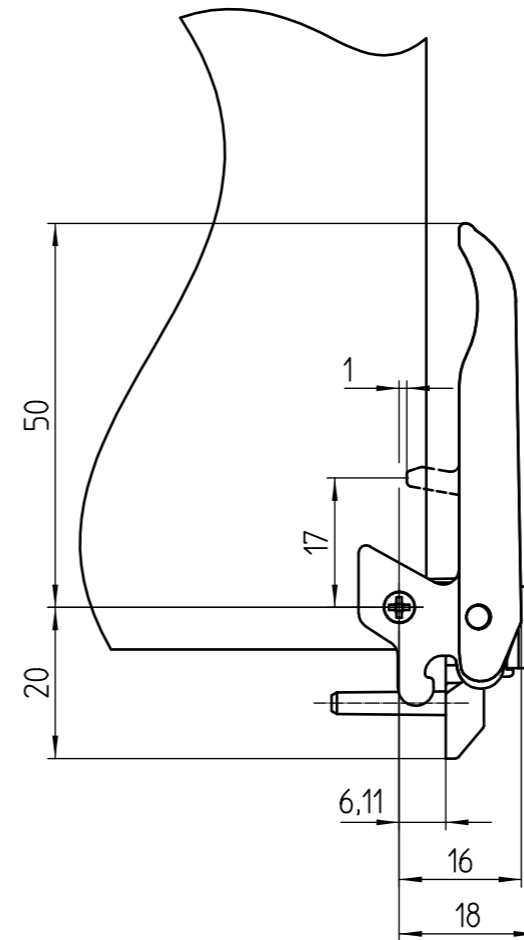
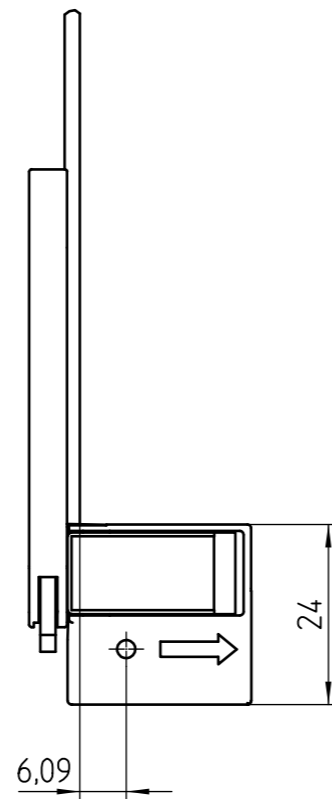


Top Handle
Griff oben
Poignée supérieure



Bottom Handle
Griff unten
Poignée inférieure



Format A3
www.elma.ch

INFORMATION SHOWN ON THIS DRAWING IS PROPRIETARY. THIS DRAWING IS NOT TO BE REPRODUCED EITHER WHOLLY OR IN PART WITHOUT THE EXPRESS PERMISSION OF ELMA ELECTRONIC INC.

OneSpaceDesigner
Cadim/EDB

Tolerances unless otherwise specified		Last Changes:		Part-No.	
Notes:		Name		.	
-		Date		Designed 19.02.2007 OILAK	
-		Dimension		x	
-		similar drawing		x	
-		Replaced by		x	
-		First angle projection		Scale	
				1:1	
				Document-No.	
		ATCA Ergonomic Griff		Rev.	
		ATCA Ergonomic Handle		0	
		DCH000030639		A	