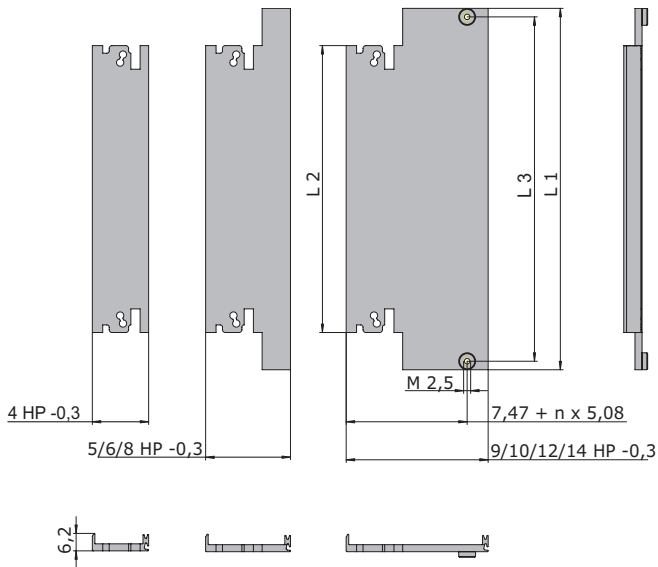
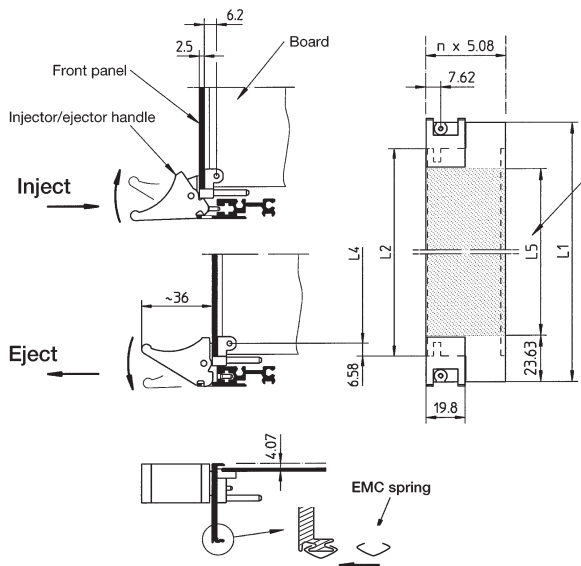


3: Handles

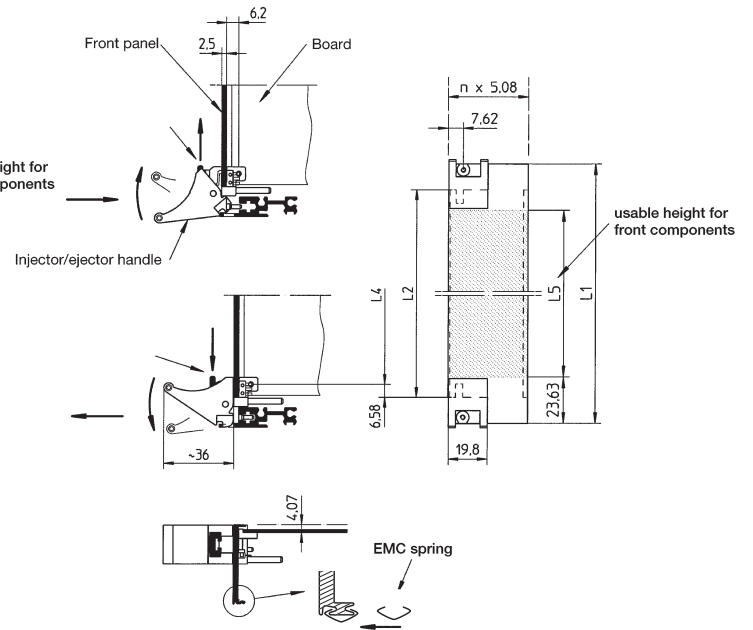
3.4.6 Cutouts and Function



Injector/Ejector Handle Without Locking Feature (Function)

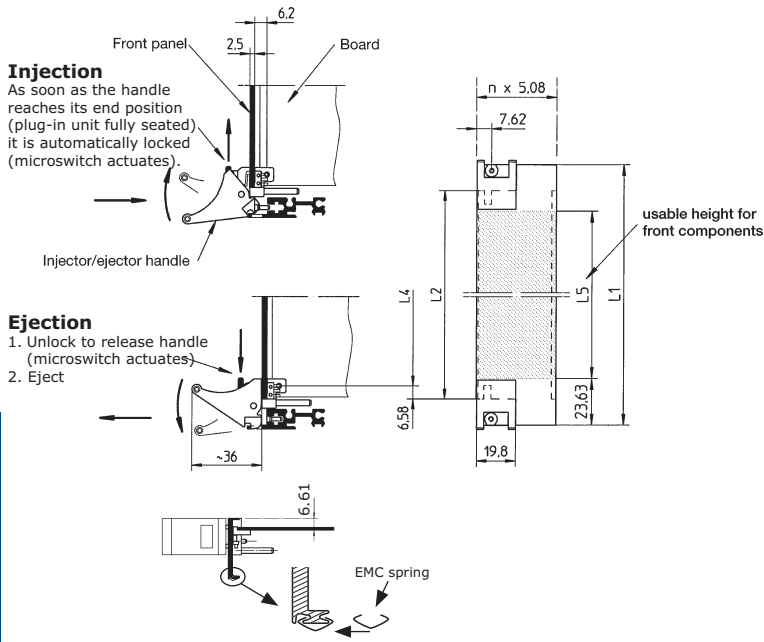


Injector/Ejector Handle With Locking Feature (Function)



3: Handles

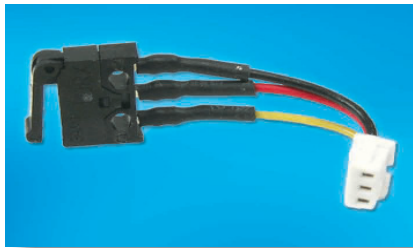
Injector/Ejector Offset Handle With Locking Feature (Function)



Dimensions

Height	L1 mm	L1 inch	L2 mm	L2 inch	L3 mm	L3 inch	L4 mm	L4 inch	L5 mm	L5 inch
3 U	128.55	5.06	102.05	4.01	122.50	4.82	88.90	3.50	81.30	3.20
6 U	261.90	10.31	235.40	9.27	255.85	10.07	222.25	8.75	214.65	8.45
9 U	395.25	15.56	368.75	14.51	389.20	15.32	355.60	14.00	348.00	13.70

3.4.7 Microswitch Technical Data and Function

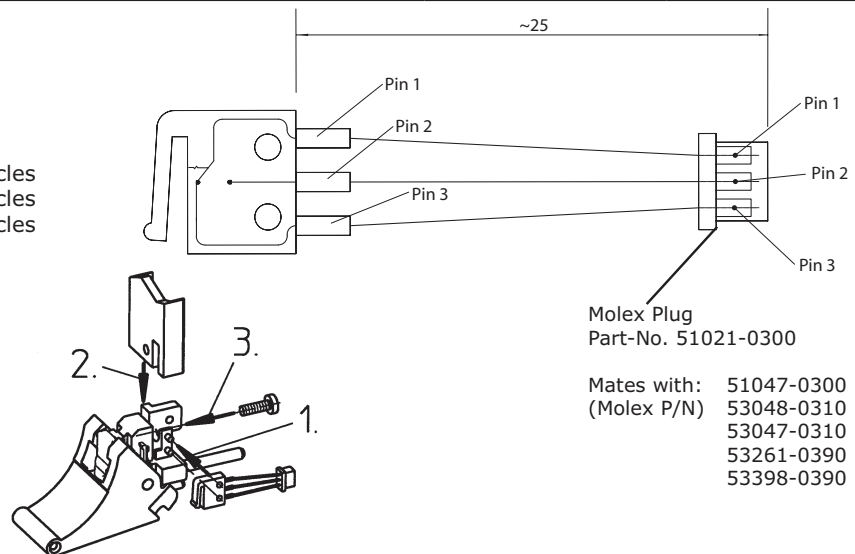


Microswitch for Injector/Ejector Handle

Description	Part-No.	
	10 pcs.	100 pcs.
Microswitch with pre-assembled wire cable length (25 mm)	81-088-1	81-088-2

Technical data

Life circuit:	30 V DC, 5 - 50 mA	30'000 cycles
	60 V DC, 5 mA	30'000 cycles
	60 V DC, 500 mA	15'000 cycles
Temperature:	-25°C to +70°C	
Humidity:	RH 85% max.	
Vibration:	10 Hz to 55 Hz, 18 g	
Shock:	30 g, 11 msec	



Switch function:

- Switch open: Connection between Pin 1 and Pin 3
- Switch closed: Connection between Pin 1 and Pin 2

Mounting sequence:

1. Push microswitch onto the handle
2. Insert the front panel into the handle
3. Screw-on